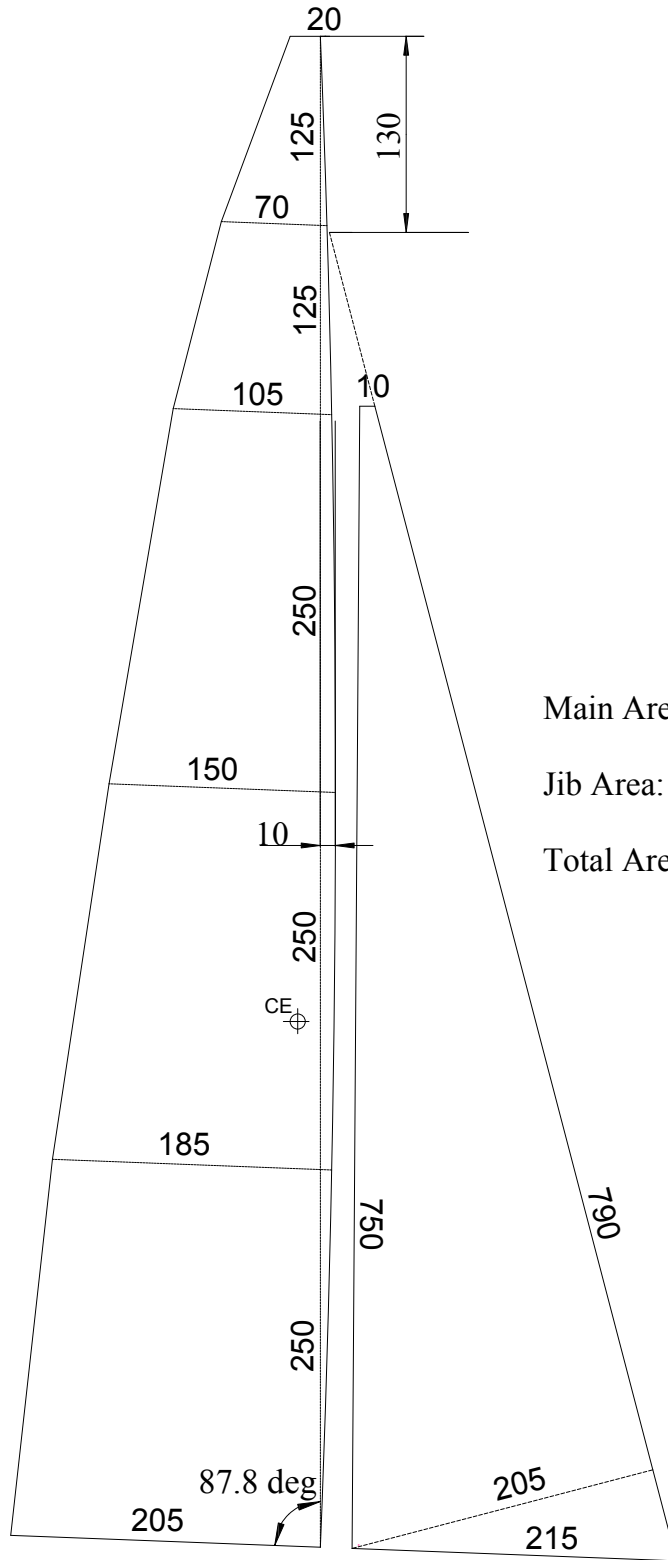


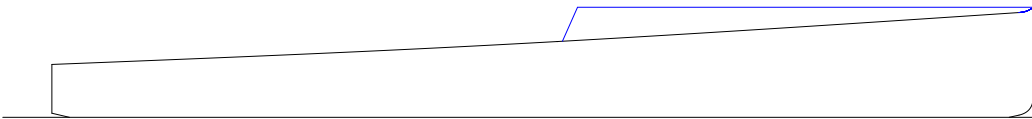
Max 1100



Main Area: 1396.9cm<sup>2</sup>

Jib Area: 847.3 cm<sup>2</sup>

Total Area: 2244.2 cm<sup>2</sup> 100%



RG - 65

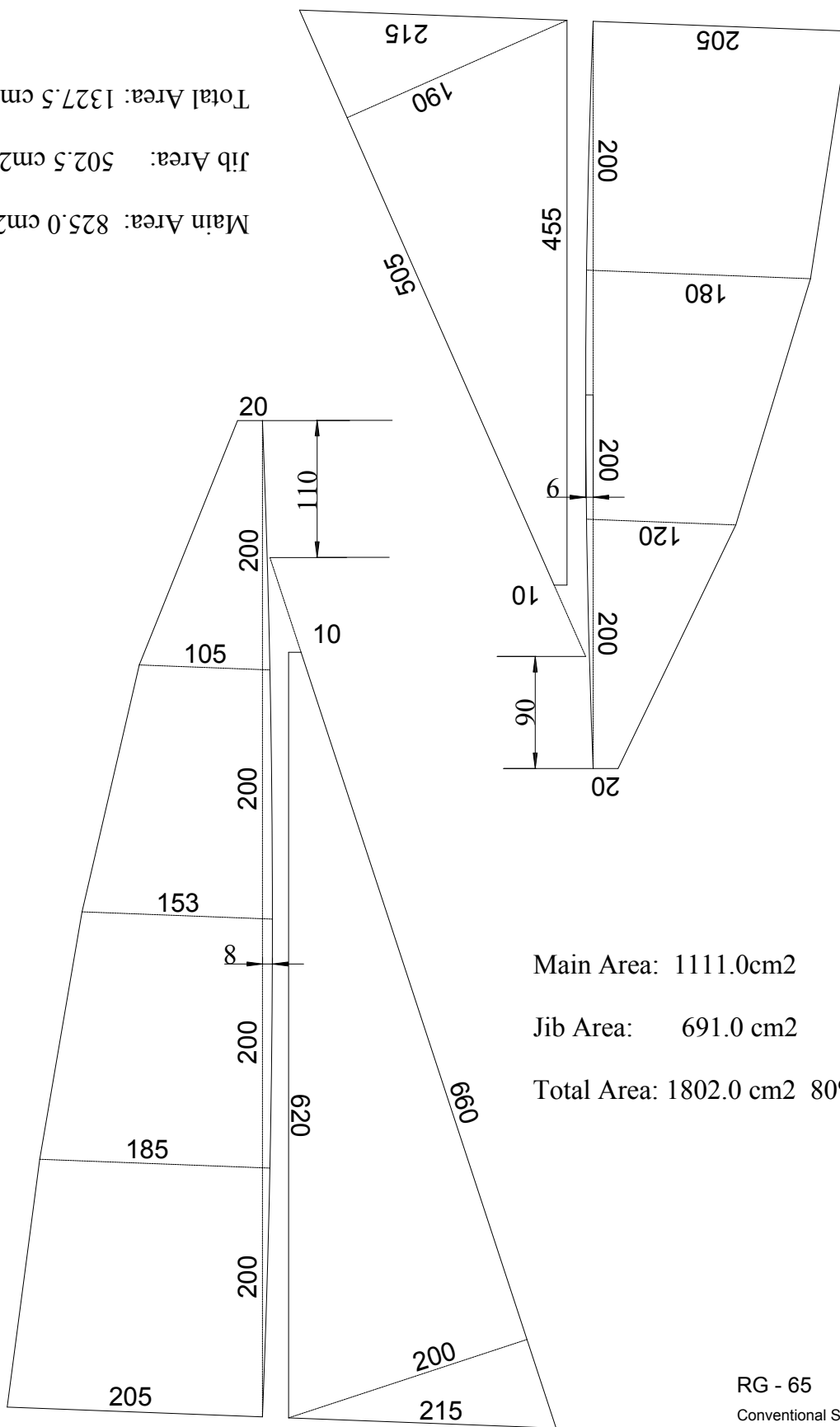
Conventional Sail Plan A

Scale 1:5

Dwg 1 of 4 161212

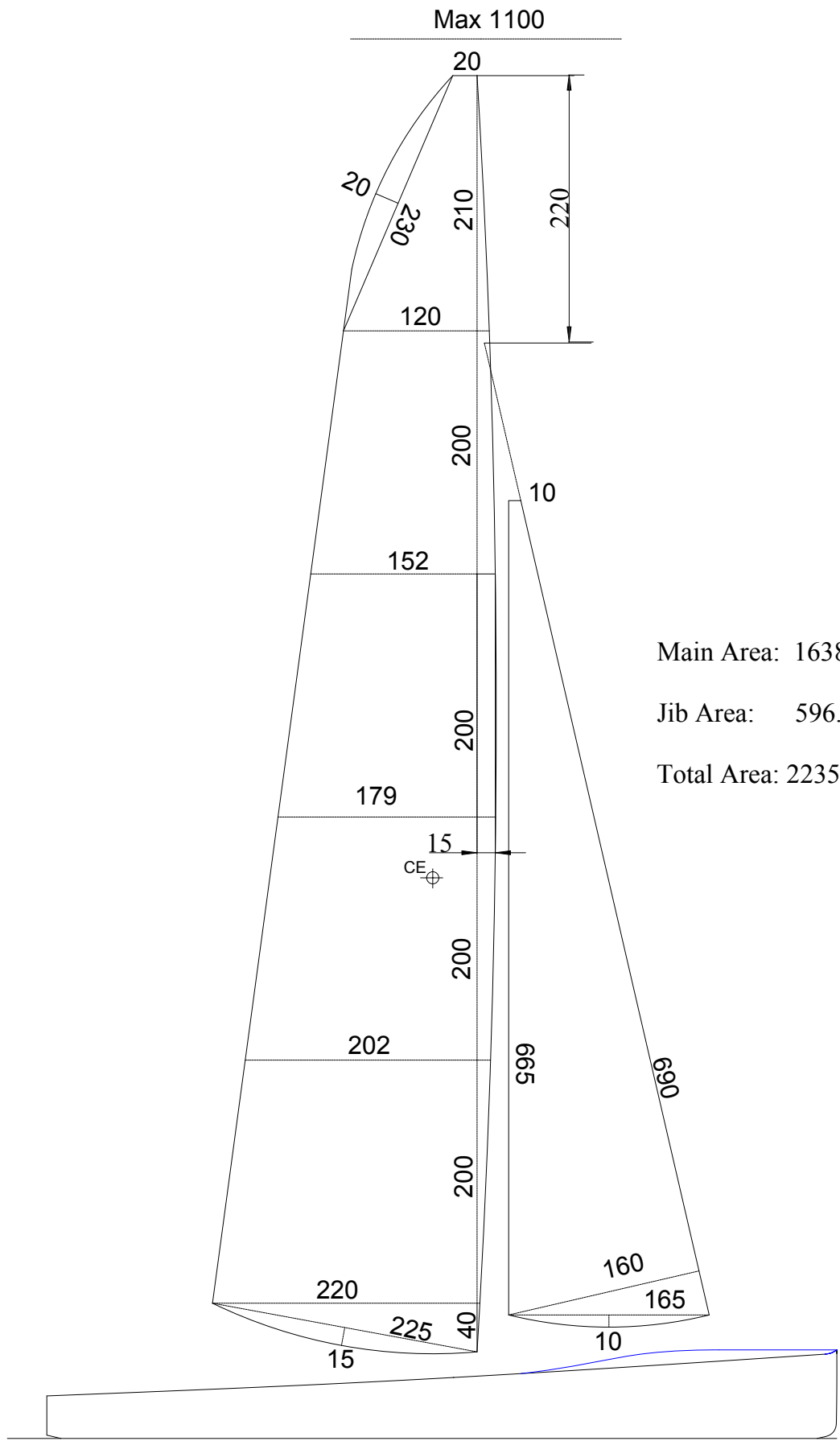
© Frank Russell 2013

Main Area: 825.0 cm<sup>2</sup>  
 Jib Area: 502.5 cm<sup>2</sup>  
 Total Area: 1327.5 cm<sup>2</sup> 60%



Main Area: 1111.0cm<sup>2</sup>  
 Jib Area: 691.0 cm<sup>2</sup>  
 Total Area: 1802.0 cm<sup>2</sup> 80%

RG - 65  
 Conventional Sail Plan B and C  
 Scale 1:5  
 Dwg 2 of 4 161212



Main Area: 1638.7 cm<sup>2</sup>

Jib Area: 596.3 cm<sup>2</sup>

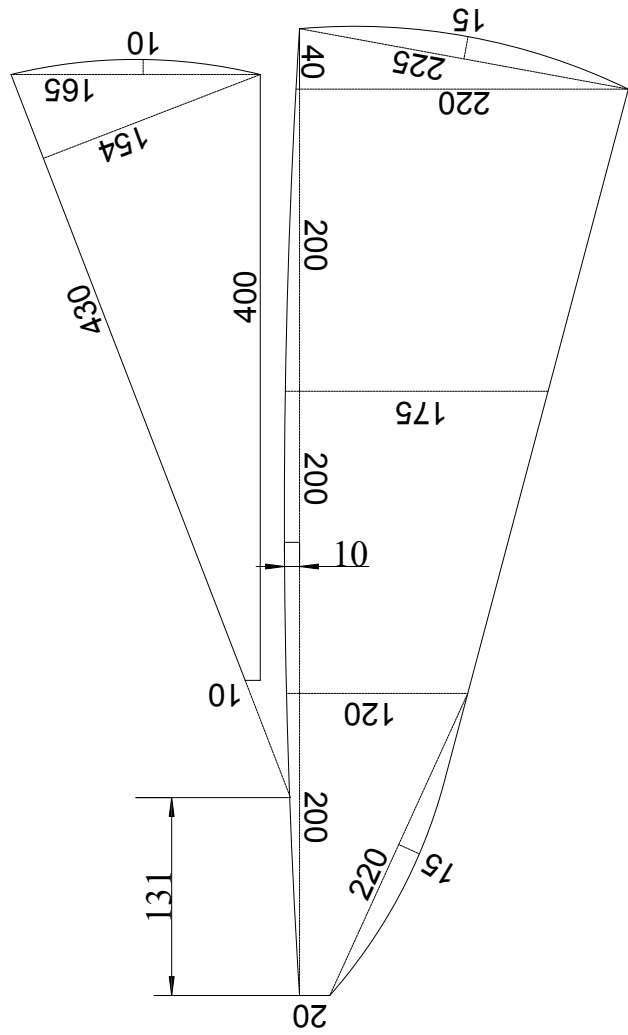
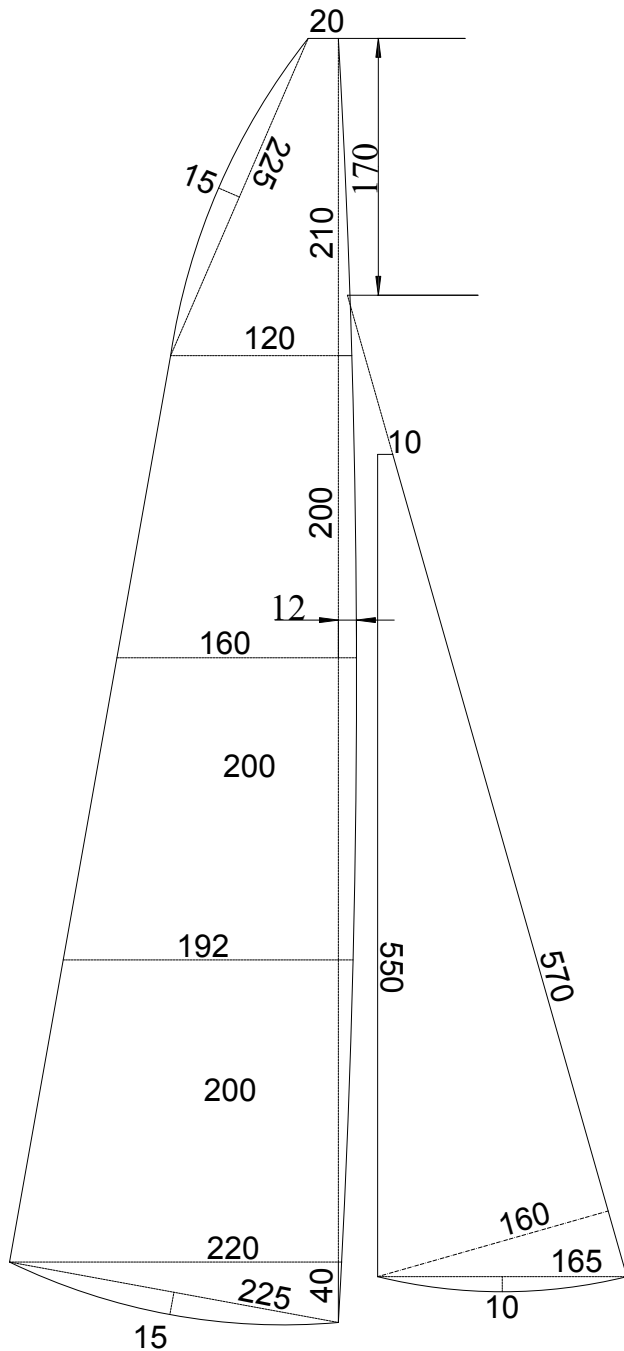
Total Area: 2235.0 cm<sup>2</sup> 100%

RG - 65  
 Swing Rig Sail Plan A  
 Scale 1:5  
 Dwg 3 of 4 161212

Main Area: 1280.0 cm<sup>2</sup>

Jib Area: 494.5 cm<sup>2</sup>

Total Area: 1774.5 cm<sup>2</sup> 80%



Total Area: 1282.8 cm<sup>2</sup> 60%

Jib Area: 364.3 cm<sup>2</sup>

Main Area: 918.5 cm<sup>2</sup>

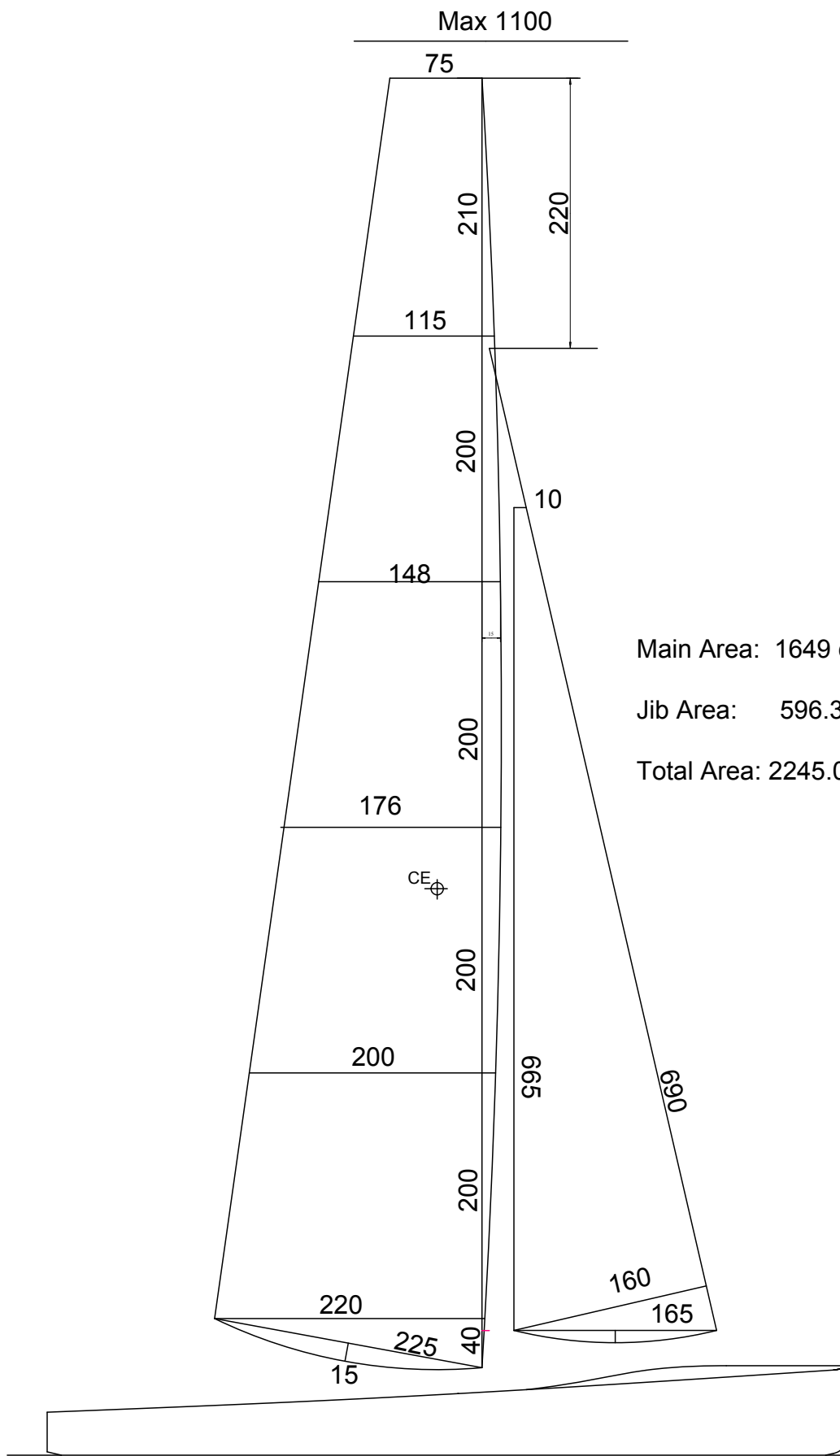
RG - 65

Swing Rig Sail Plan B and C

Scale 1:5

Dwg 4 of 4 161212

© Frank Russell 2013



Main Area: 1649 cm<sup>2</sup>  
 Jib Area: 596.3 cm<sup>2</sup>  
 Total Area: 2245.0 cm<sup>2</sup> 100%

RG - 65  
 Swing Rig Sail Plan A  
 Scale 1:5  
 Dwg 1 of 1 111115