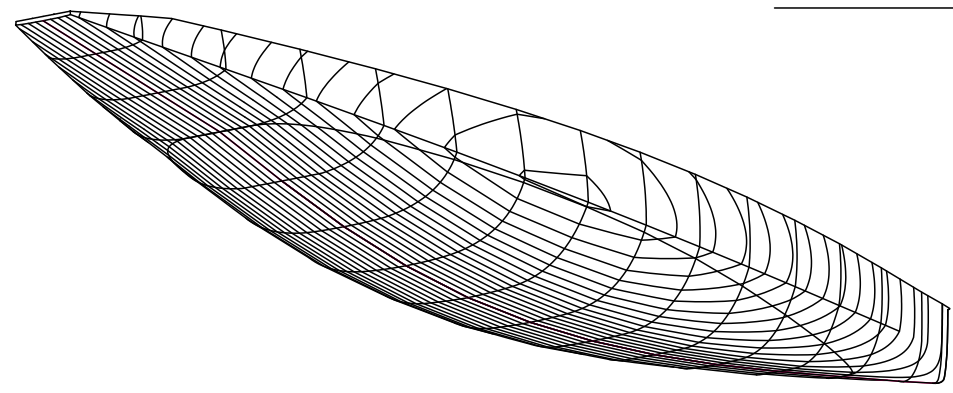
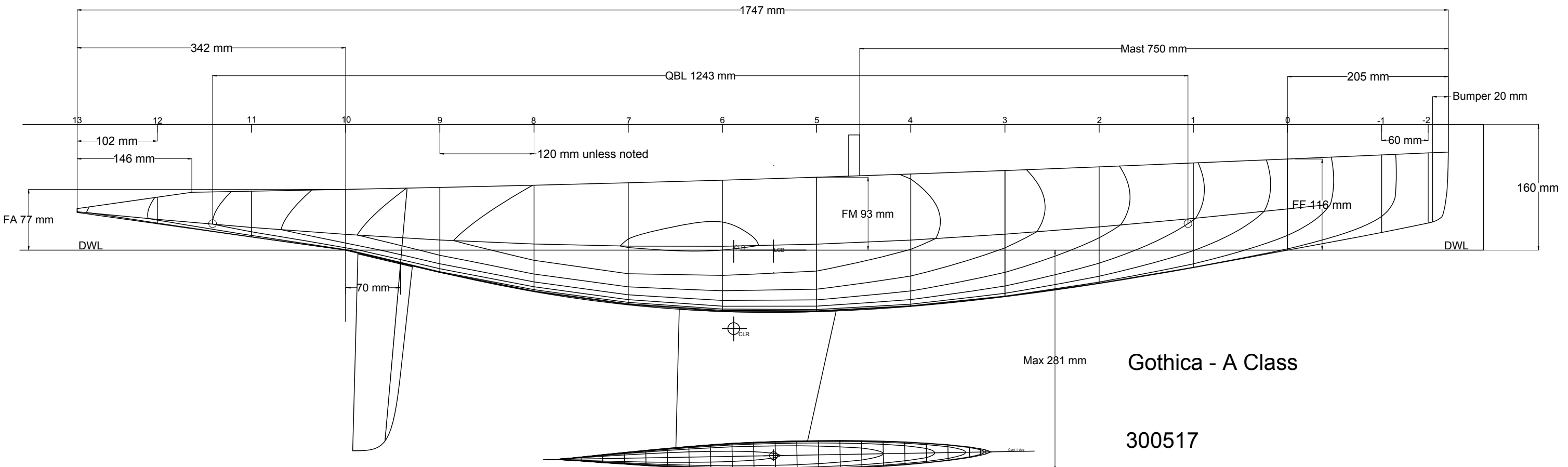
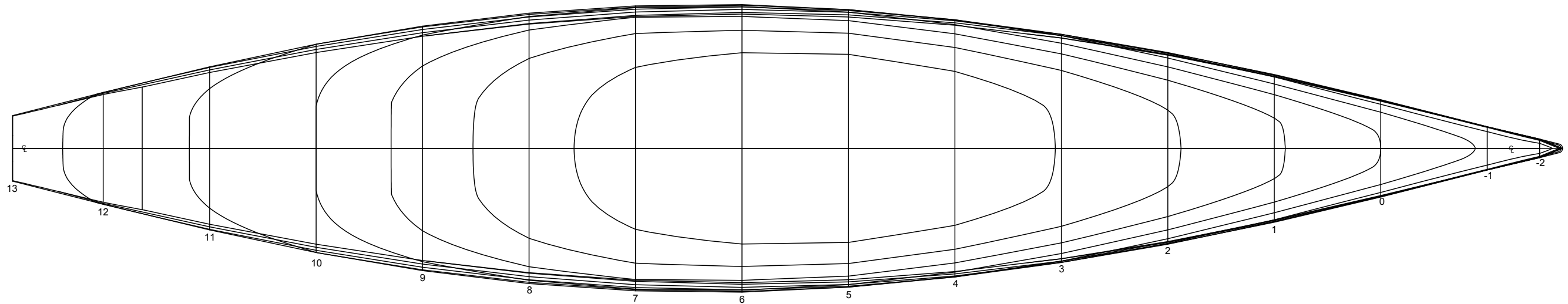


Note: only one hull may be built from these plans without the written permission of the designer.

Additional plans must be purchased for each yacht or an agreed royalty must be paid.



### Gothica - A Class

300517

Dwg 1 of 8

Scale 1:5

LOA = 1747 mm

LWL = 1200 mm

BOA = 324 mm

BWL = 320 mm

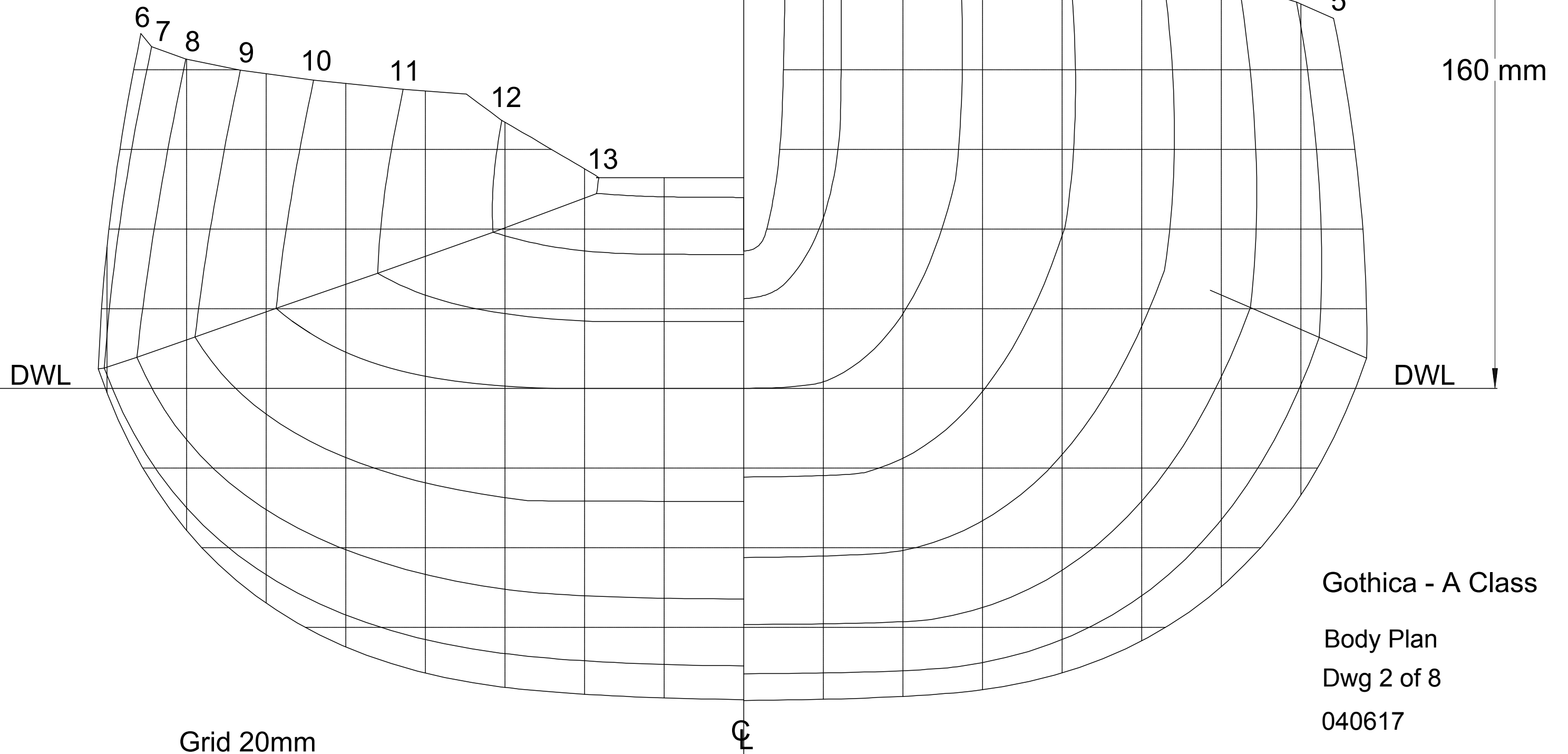
DISP = 14.7 kg

SA = 0.997350 mm<sup>2</sup>

Base line

Note: only one hull may be built from these plans without the written permission of the designer.

Additional plans must be purchased for each yacht or an agreed royalty must be paid.



Gothica - A Class

Body Plan

Dwg 2 of 8

040617

Scale Full Size

Base line

Note: only one hull may be built from these plans without the written permission of the designer.

Additional plans must be purchased for each yacht or an agreed royalty must be paid.

-1 -2 -2 -1

0

0

1

1

2

2

3

3

4

4

5

5

160 mm

DWL

DWL

Gothica - A Class  
Foreward Sections  
Less 4mm

Dwg 3 of 8  
040617

Scale Full Size

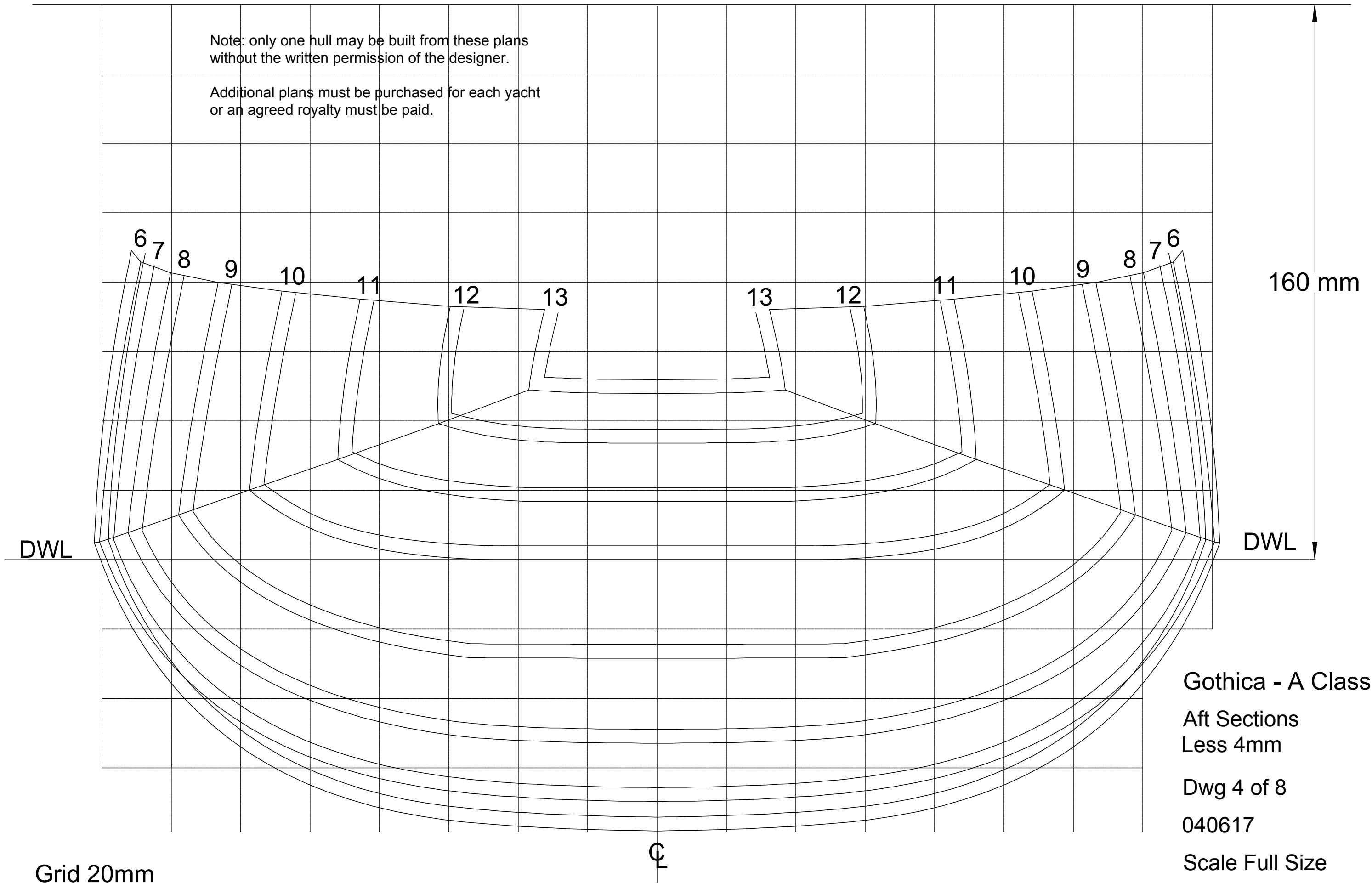
Grid 20mm

CL

Base line

Note: only one hull may be built from these plans without the written permission of the designer.

Additional plans must be purchased for each yacht or an agreed royalty must be paid.



160 mm

DWL

DWL

C

Grid 20mm

Gothica - A Class

Aft Sections

Less 4mm

Dwg 4 of 8

040617

Scale Full Size

© Frank Russell 2017

# Gothica - A Class

Appendages 01

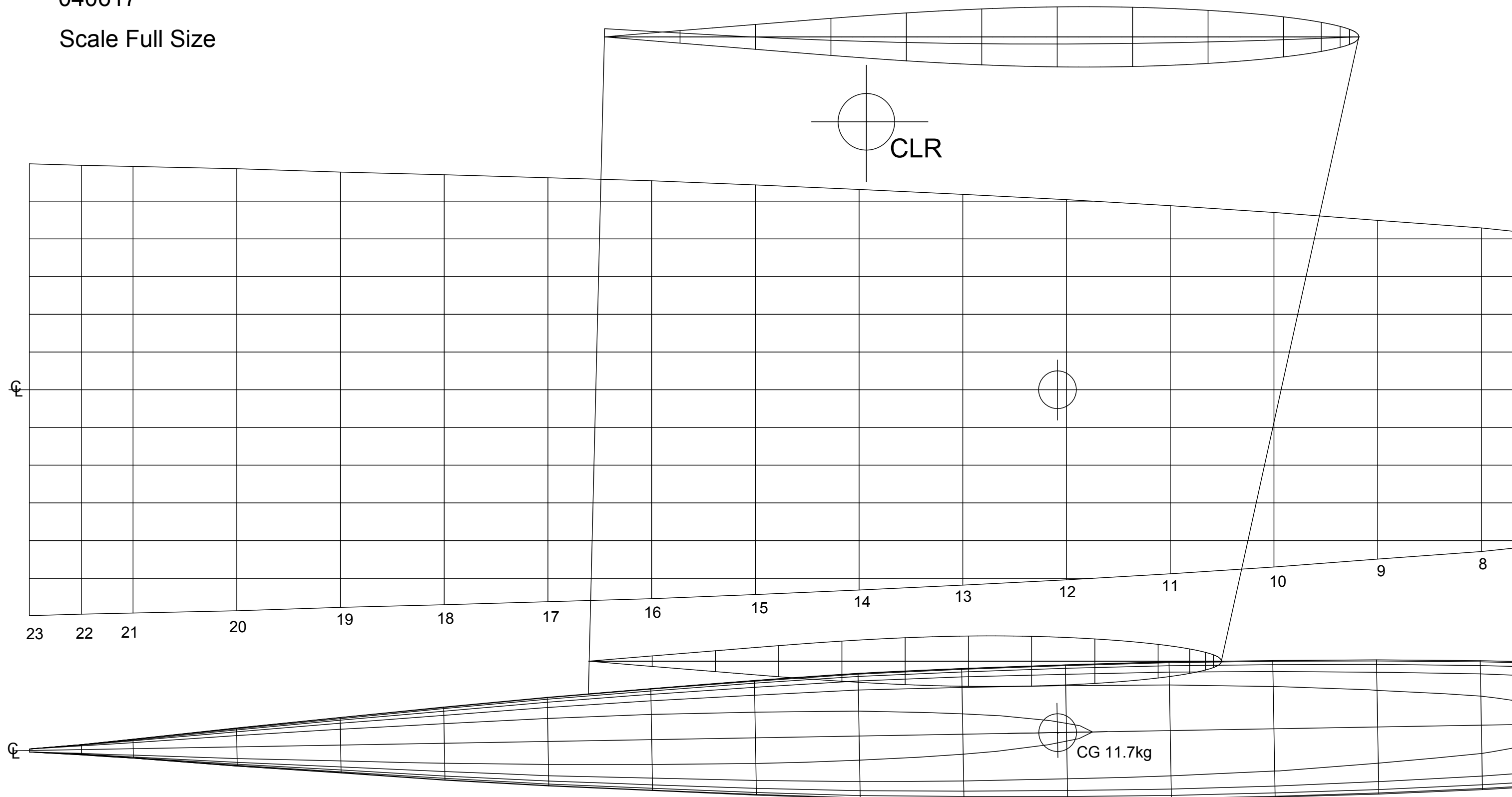
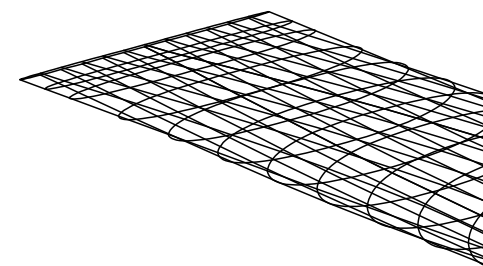
Dwg 5 of 8

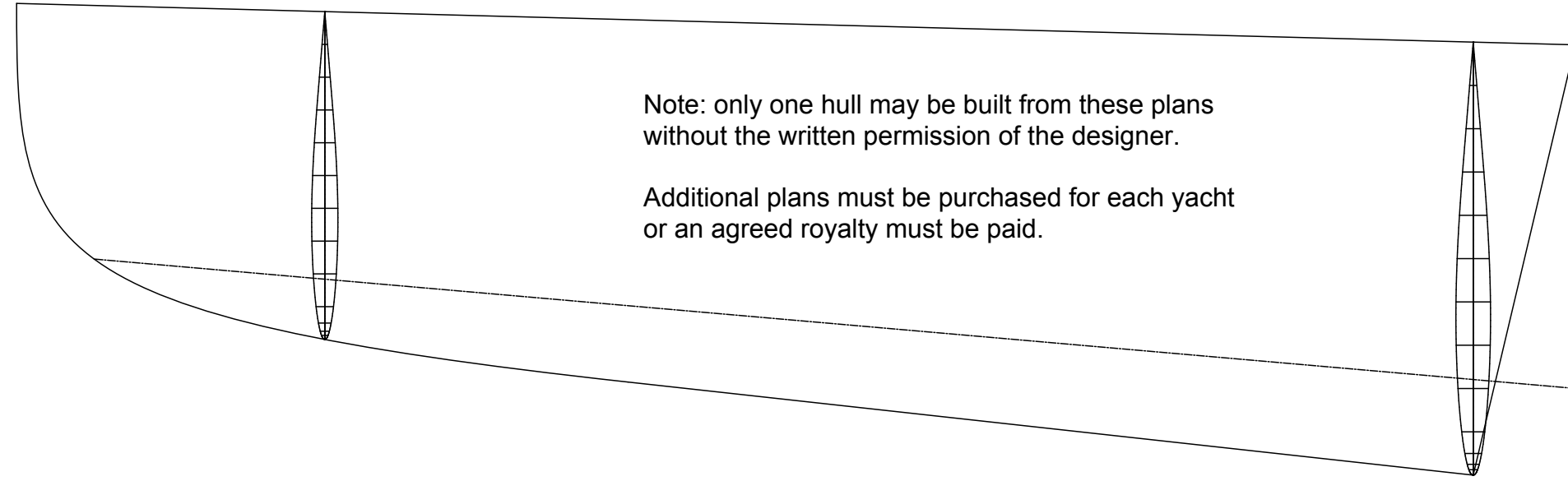
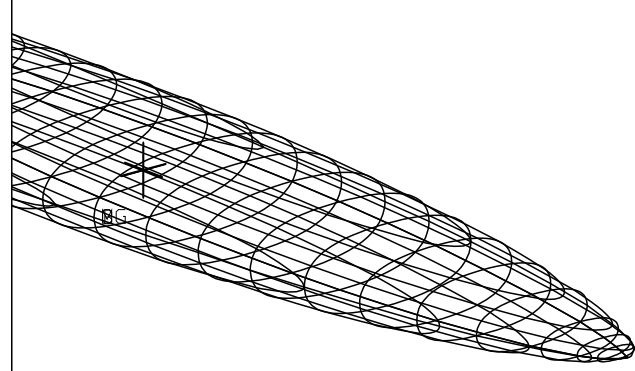
040617

Scale Full Size

Note: only one hull may be built from these plans without the written permission of the designer.

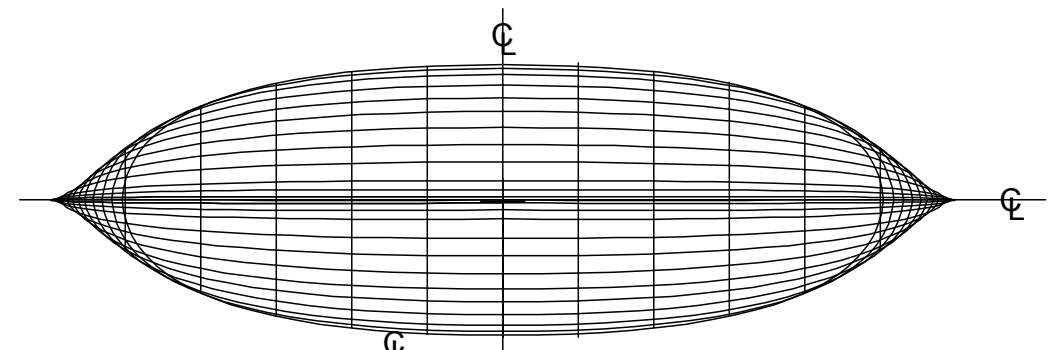
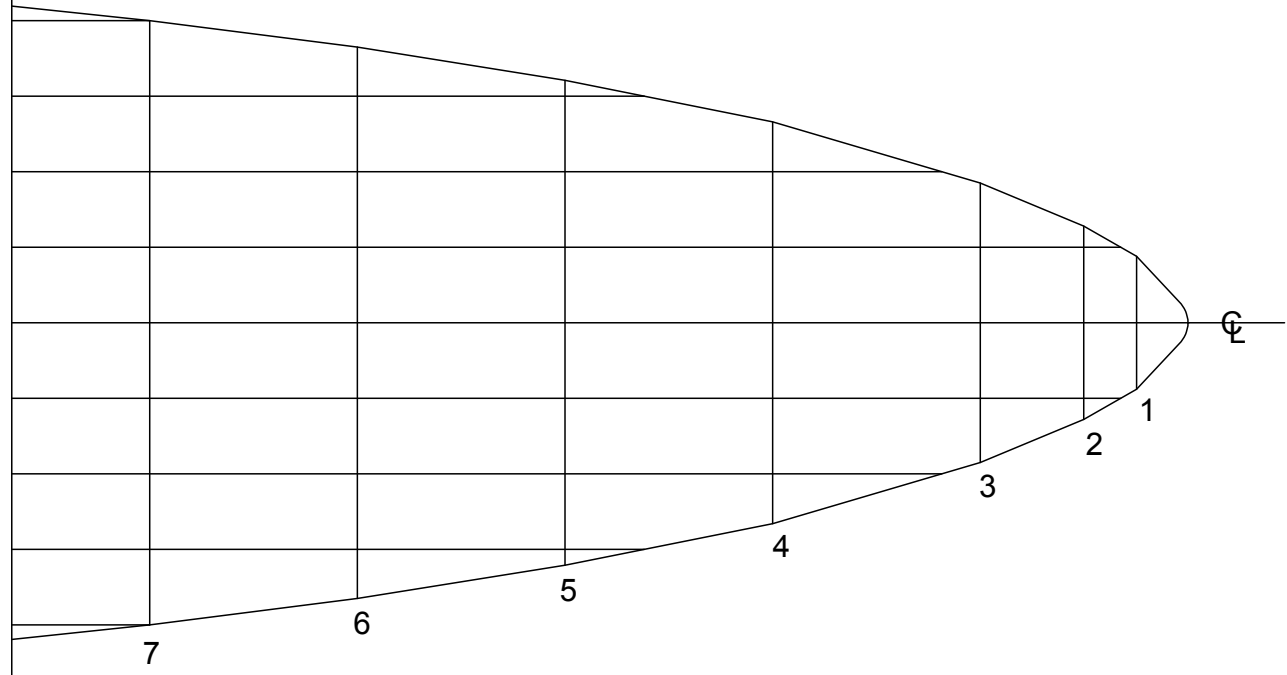
Additional plans must be purchased for each yacht or an agreed royalty must be paid.



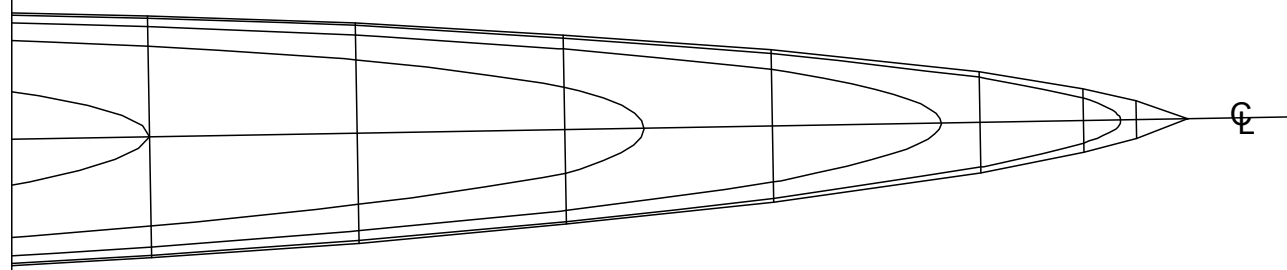


Note: only one hull may be built from these plans without the written permission of the designer.  
Additional plans must be purchased for each yacht or an agreed royalty must be paid.

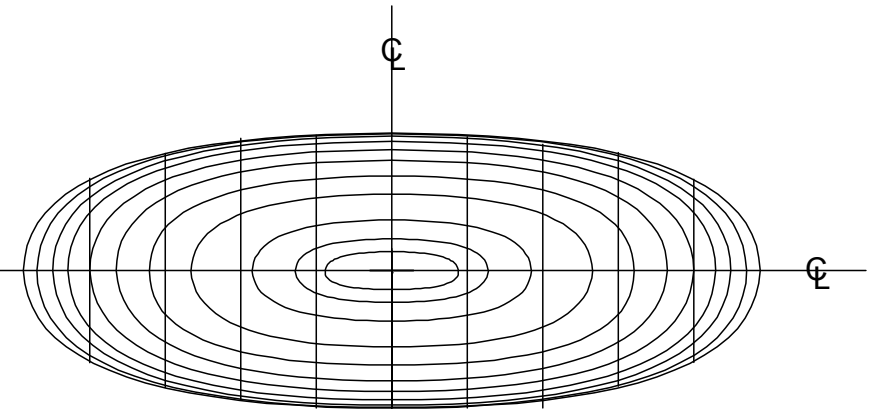
Shaft CL



Sections 12 to 23



Angle 1 deg



Sections 1 to 11

Gothica - A Class

Appendages 02

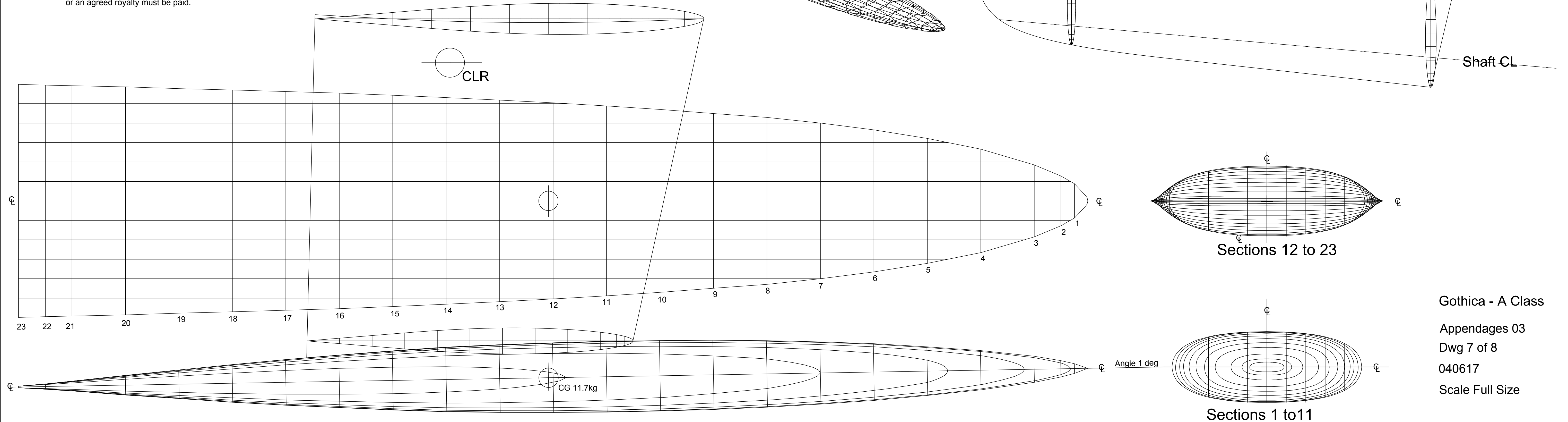
Dwg 6 of 8

040617

Scale Full Size

Note: only one hull may be built from these plans without the written permission of the designer.

Additional plans must be purchased for each yacht or an agreed royalty must be paid.



Gothica - A Class

Appendages 03

Dwg 7 of 8

040617

Scale Full Size

# Gothica - A Class

## Sail Plan

Dwg 8 of 8

060517

Scale 1:10

$$A \times B / 2 = 2050 \times 570 / 2 = 584250 \text{mm}^2$$

$$0.85 \times I \times J = 0.85 \times 1620 \times 600 = 413100 \text{mm}^2$$

$$\text{Total} = 997350 \text{mm}^2$$

