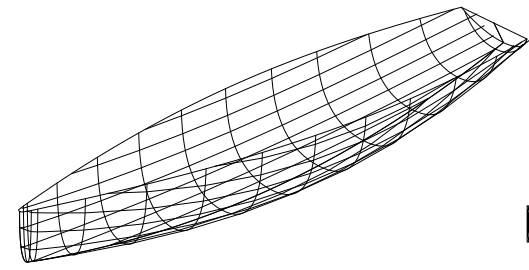


75mm Along Hull Surface

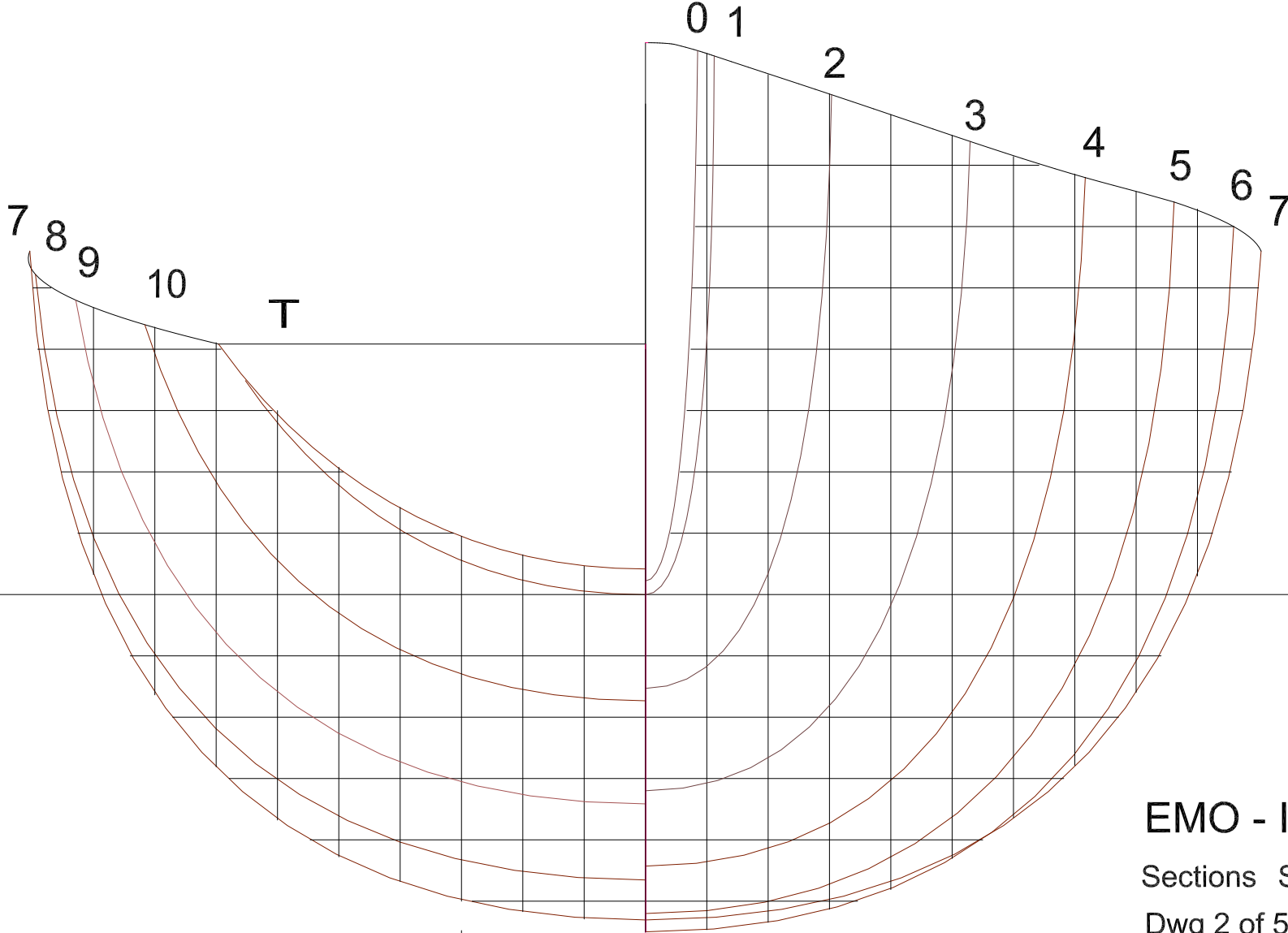
478mm Along Hull Surface



EMO - IOM
 Lines Scale 1:5
 Dwg 1 of 5 160709

Alt 251109
 Alt 281209

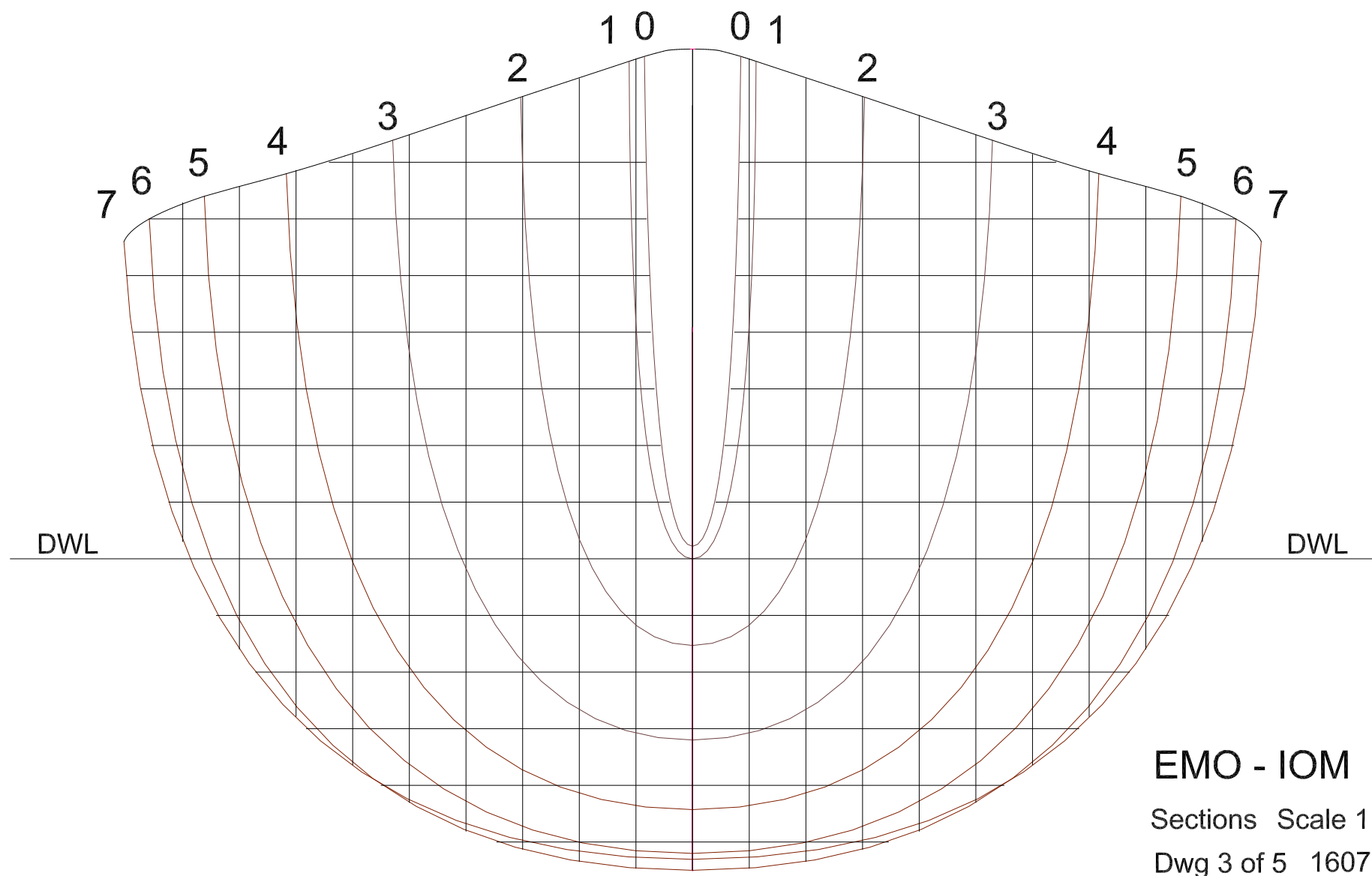
Base



100mm

EMO - IOM
Sections Scale 1:1
Dwg 2 of 5 160709

Base

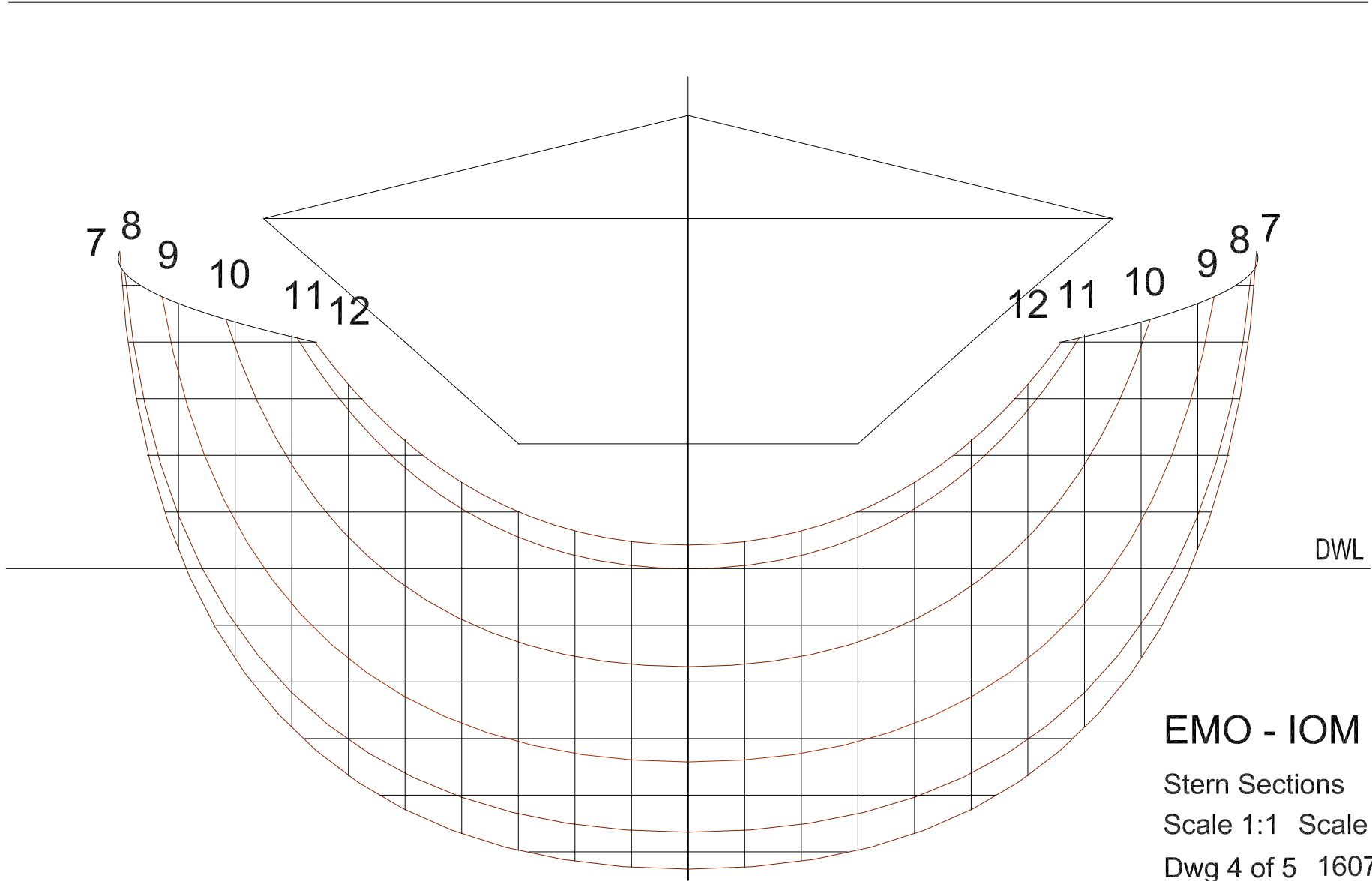


100mm

EMO - IOM
Sections Scale 1:1
Dwg 3 of 5 160709

© Frank Russell 2009

Base



EMO - IOM

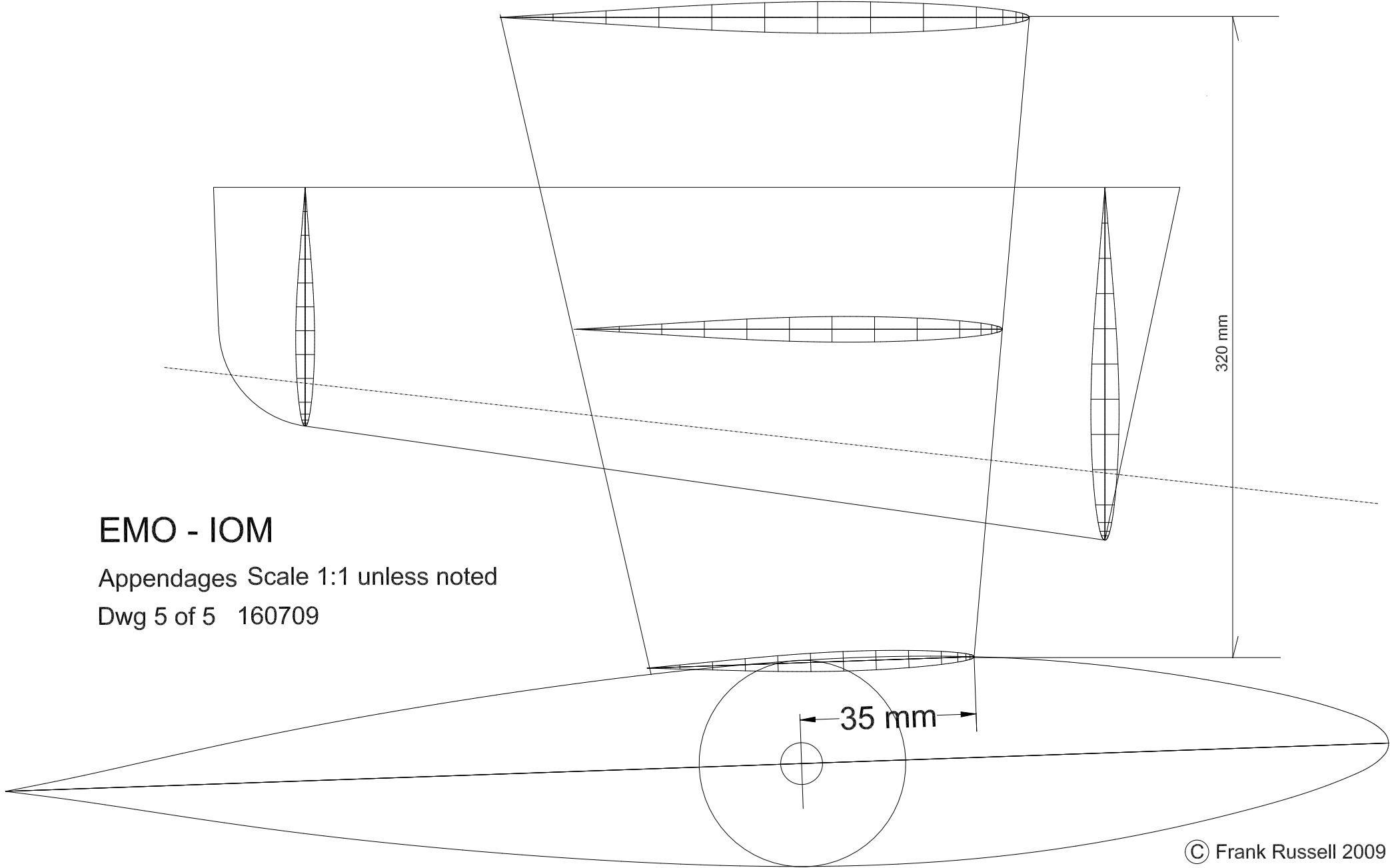
Stern Sections

Scale 1:1 Scale 1:1

Dwg 4 of 5 160709

100mm

© Frank Russell 2009



EMO - IOM

Appendages Scale 1:1 unless noted

Dwg 5 of 5 160709